

Retroseal Houseseal

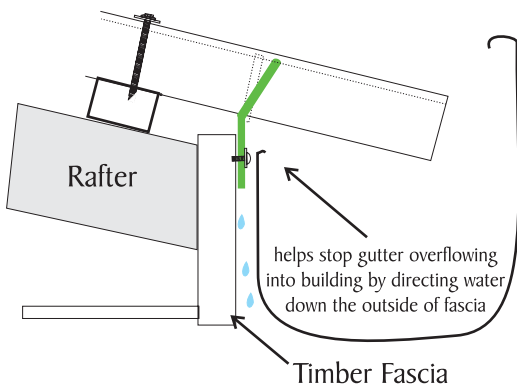
Patent protected

Add roof pitch degree to end of code in brackets

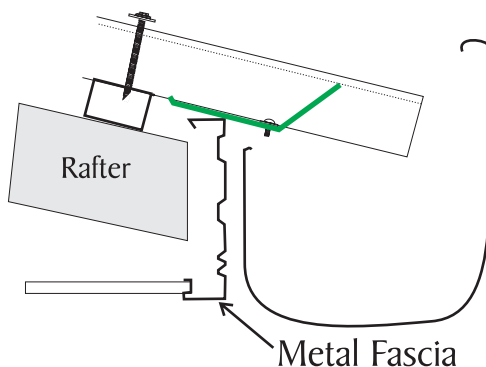
To suit Monoclad or Trimdeck **Order Code 11()** or **11MF** for metal fascia
and corrugated **Order Code 12()** or **12MF** for metal fascia

Other Profiles Available...
available in Z/A and Grey

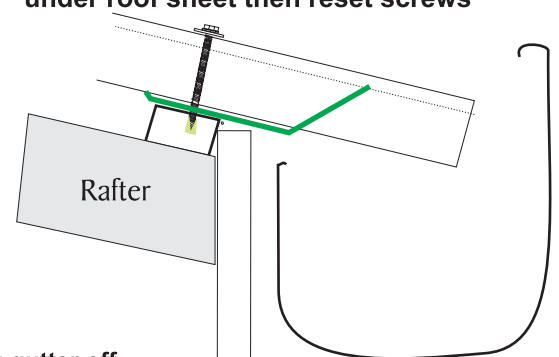
Similar to **Roofseal** but single piece as it is designed for timber and brick sheds and houses with steel roofs (with or without soffits) also for internal veranda sealing. It is a bird, vermin and weatherproof flashing that will deter the entry of sparks and burning embers into the roof cavity as well as preventing the gutter from overflowing into soffit heavy downpours and shields timber-work from direct exposure to flames.



Valley fix with teks if batten is out of reach



otherwise loosen roof screws and slide flashing under roof sheet then reset screws



Can be retro-fitted without taking gutter off.

